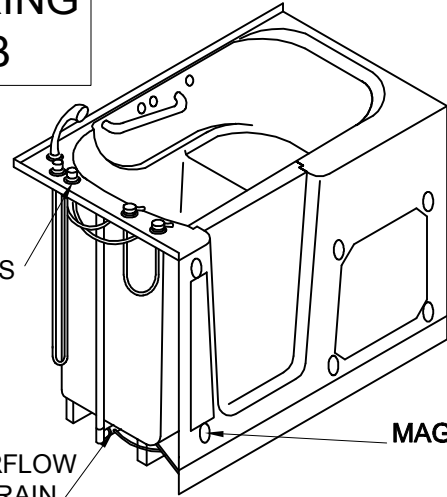


**Installation schematic for  
Escape/Escape Plus walk-in tub  
for CORNER installation  
See Page 3 for details**

**PREPARING  
THE TUB**

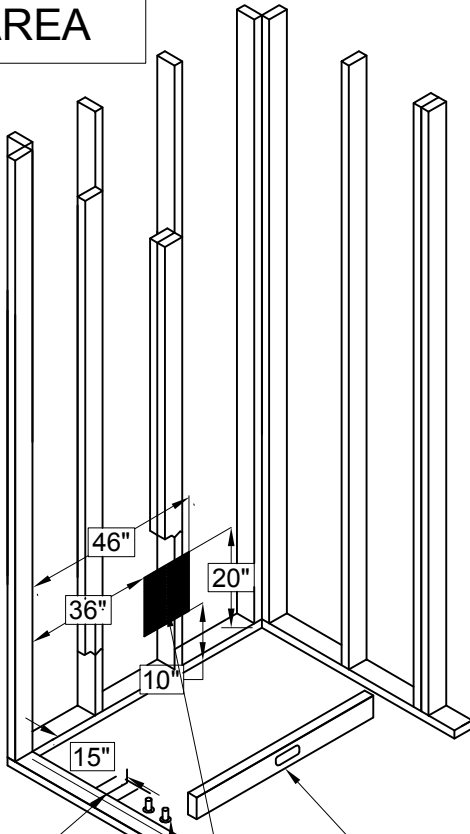
INSTALL THE VALVES  
ALLOWING SPACE FOR  
(OPTIONAL) WALL PANELS



INSTALL THE  
WASTE/OVERFLOW  
AND DOOR DRAIN  
FITTING

**MAGNET**

**PREPARING  
THE AREA**



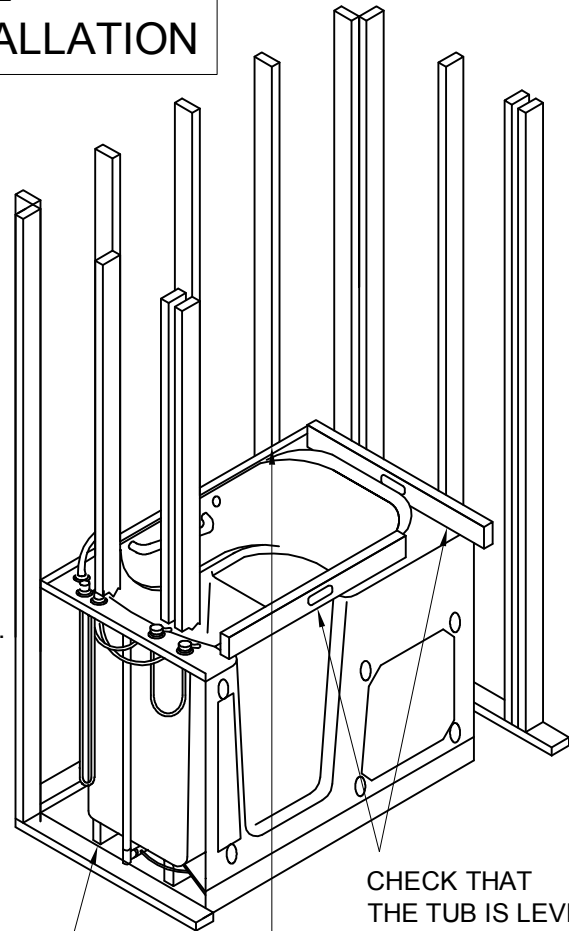
LEVEL THE FLOOR

PREPARE THE DRAIN.  
MIN. 5" x 5" HOLE FOR  
DRAIN PIPE

1 ea 110V/15A GFCI OUTLET  
FOR THE JET PUMP AND  
1 ea 110V/15A GFCI OUTLET  
FOR THE BLOWER IN THIS AREA.

PREPARE THE HOT AND  
COLD WATER SUPPLY

**FINAL  
INSTALLATION**



CHECK THAT  
THE TUB IS LEVEL.

FINAL DRAIN-  
AND HOT/COLD  
CONNECTION

SCREW TO  
THE STUDS