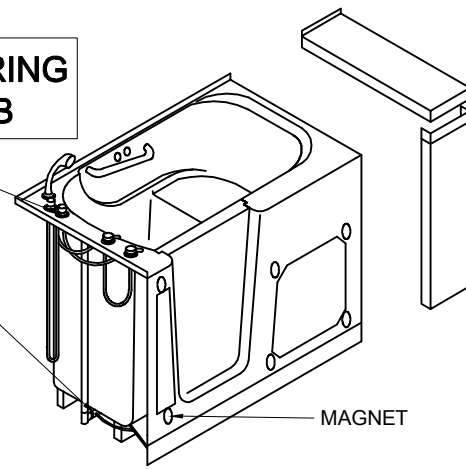


**Installation schematic for
Escape/Escape Plus walk-in tub
for ALCOVE installation
(with extension)
See Page 3 for details**

**PREPARING
THE TUB**

INSTALL THE
VALVES

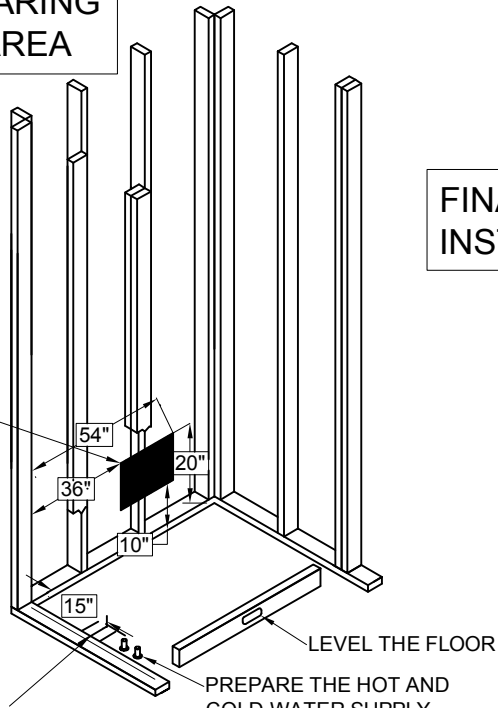
INSTALL THE
WASTE/OVERFLOW
AND DOOR DRAIN
FITTING



MAGNET

**PREPARING
THE AREA**

15A GFCI OUTLET
THIS AREA

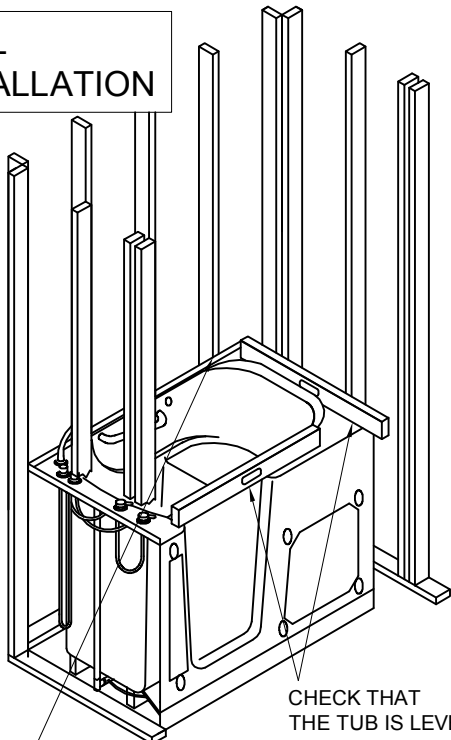


PREPARE THE DRAIN.
MIN. 5" x 5" HOLE FOR
DRAIN PIPE

PREPARE THE HOT AND
COLD WATER SUPPLY

LEVEL THE FLOOR

**FINAL
INSTALLATION**



CHECK THAT
THE TUB IS LEVEL.

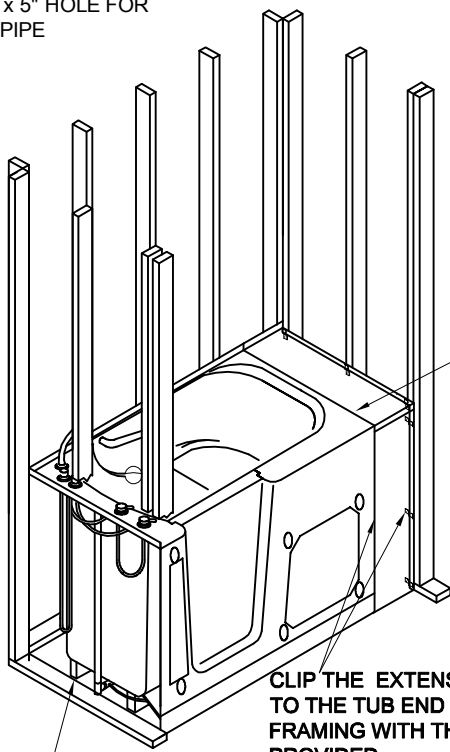
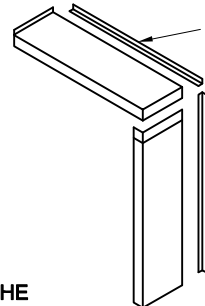
SCREW TO
THE STUDS

SCREW TO
THE STUDS

**FINAL
INSTALLATION**

SILICONE THE SEAM
AFTER FASTENING
FLANGE TO STUDS

IF THE FRAME POCKET IS TOO
SMALL, TRIM THE EXTENSION
TO FIT AND SUPPORT WITH
PLASTIC OR METAL ANGLE
MIN. 1" x 1"



CLIP THE EXTENSION
TO THE TUB END AND THE
FRAMING WITH THE CLIPS
PROVIDED

FINAL DRAIN-
AND HOT/COLD
CONNECTION