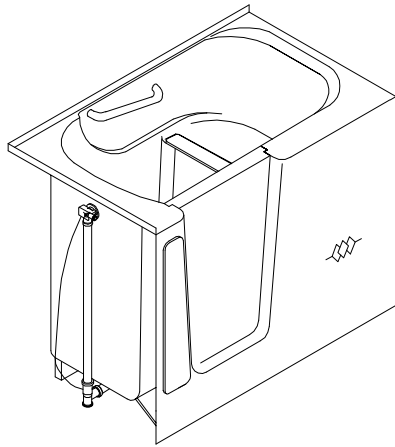


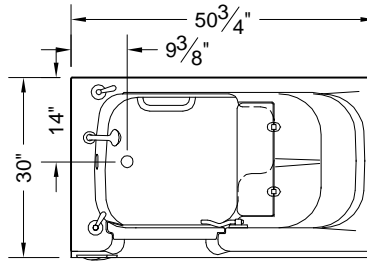
# MODEL: XTOW5030 L/R

# ESCAPE PLUS

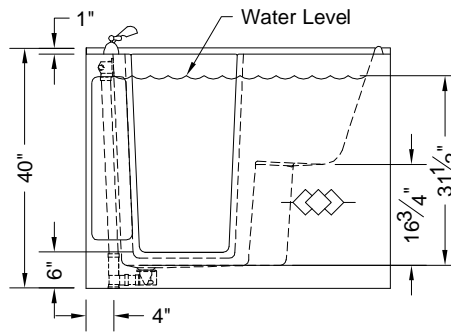
ALL ACCESSORIES OPTIONAL



PERSPECTIVE VIEW - N.T.S.  
MODEL SHOWN HERE AS:  
LEFT HAND



TOP VIEW - SCALE  $\frac{3}{8}'' = 1'-0''$



FRONT ELEVATION - SCALE:  $\frac{3}{8}'' = 1'-0''$

## Features:

- Innovative new door handle designed for easy operation
- Reliable door seal that comes with a lifetime guarantee
- Seat height is designed for ease of sitting and standing
- Extra deep for a full body soak
- Largest door opening available
- Swing up seat for easy entry
- Designed to fit in the space of your current bathtub
- Allows you the freedom to rehab at home

## PRODUCT SPECIFICATIONS:

-Walk-in bathtub with pressure sealed door shall be of gelcoat / fiberglass construction and have an integral front skirt, magnetically attached access panel for plumbing.

C.S.I. FORMAT SPECIFICATION TEXT AVAILABLE

### PRODUCT INFORMATION:

- Accessories: Factory installed Tub Bar, all others installed by others
- Colors: White as standard, Almond optional
- Also available with sprayable solid surface in many colors
- Fill volume with a 170 lbs. bather: 76 gallons
- Tub weight, dry, approx. 152 lbs.
- Total weight of tub, bather, and water: approx. 953 lbs.

### ACCESSORIES:

#### OPTIONAL:

- Tub bar
- Roman tub filler
- Hand shower with holder
- Cable Operated Tub drain
- Thermostatic mixing valve
- Grab bars for installation on wall surround
- Window trim kit
- Flange trim kit

### CODES:

Designed and manufactured in compliance with the following standards and codes:

- I.A.P.M.O. / A.N.S.I. Z124.1.2-2005 Plastic Bathtubs and Showers
- A.S.M.E. A112.19.15-2001 Bathtubs / Whirlpool Bathtubs with pressure sealed doors



DIV. OF FIBERGLASS SYSTEMS INC.  
www.best-bath.com 1-800-727-9907

*We reserve the right to make revisions without notice in the design of fixtures or in packaging unless this right has specifically been waived at the time the order is accepted.*