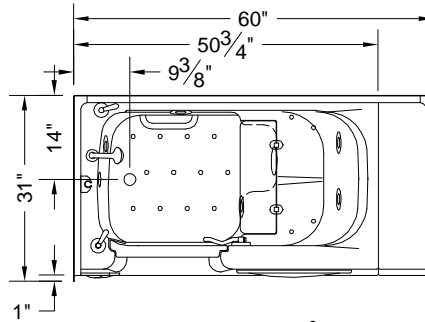
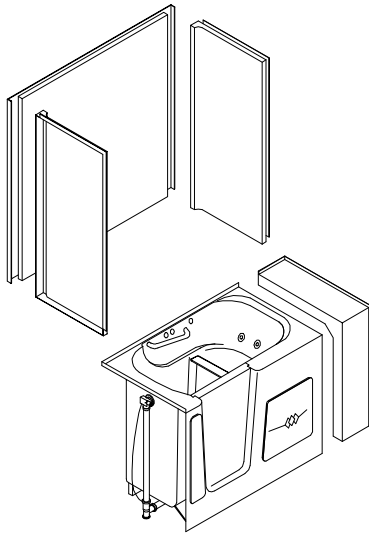


PERSPECTIVE VIEW - N.T.S.
MODEL SHOWN HERE AS:
LEFT HAND

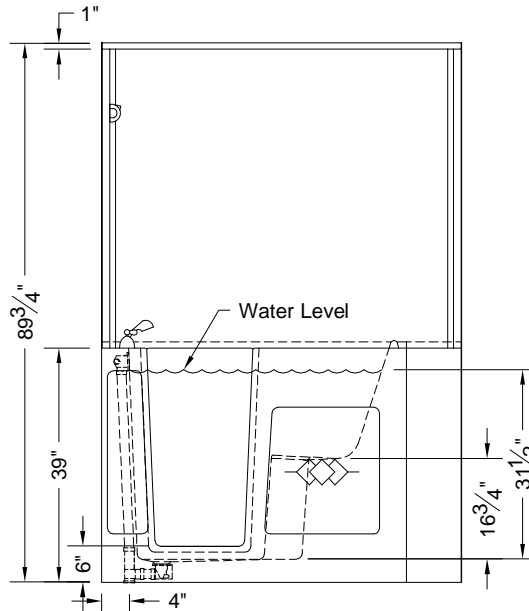
ALL ACCESSORIES OPTIONAL



TOP VIEW - SCALE $\frac{3}{8}'' = 1'-0''$



ASSEMBLY VIEW - N.T.S.



FRONT ELEVATION - SCALE: $\frac{3}{8}'' = 1'-0''$

Features:

- Innovative new door handle designed for easy operation
- Reliable door seal that comes with a lifetime guarantee
- Seat height is designed for ease of sitting and standing
- Extra deep for a full body soak
- Largest door opening available
- Swing up seat for easy entry
- Designed to fit in the space of your current bathtub
- Allows you the freedom to rehab at home
- Tile Look Wall surround system with integral plywood backing and SnapJoint quick assembly
- Syllent Brand Jet Pump: a revolutionary, ultra quiet design that helps maintain water temperature without an external heater, limiting the power requirements to just 15 Amps /110 Volt, unless equipped with the optional Airjet system

PRODUCT SPECIFICATIONS:

-Walk-in jetted bathtub with pressure sealed door shall be of gelcoat / fiberglass construction and have an integral front skirt, magnetically attached access panels for plumbing and equipment and deck/skirt extension.
 The matching wall system shall have integral plywood backing and a SnapJoint assembly feature.
 C.S.I. FORMAT SPECIFICATION TEXT AVAILABLE

PRODUCT INFORMATION:

- Accessories: Factory installed Tub Bar, all others installed by others
- Colors: White as standard, Almond optional
- Also available with sprayable solid surface in many colors
- Fill volume with a 170 lbs. bather: 76 gallons
- Tub weight, dry, approx. 192 lbs.
- Total weight of jetted tub, bather, and water: approx. 993 lbs.

ACCESSORIES:

- OPTIONAL:**
- Tub bar
 - Roman tub filler
 - Hand shower with holder
 - Cable Operated Tub drain
 - Syllent Brand Jet Pump with 5 directional jets and air volume control
 - Thermostatic mixing valve
 - Grab bars for installation on wall surround
 - Custom Tile Accenting on Wall
 - Air jet system for additional therapy action using preheated air
 - Window trim kit
 - Flange trim kit

CODES:

Designed and manufactured in compliance with the following standards and codes:

- I.A.P.M.O. / A.N.S.I. Z124.1.2-2005 Plastic Bathtubs and Showers
- A.S.M.E. A112.19.7M-1995 Whirlpool Bathtub Appliances
- A.S.M.E. A112.19.8M-1987 Suction Fittings for use in Whirlpool Bathtubs
- A.S.M.E. A112.19.15-2001 Bathtubs / Whirlpool Bathtubs with pressure sealed doors
- Underwriters Laboratories 1795 Hydro Massage Bathtubs



DIV. OF FIBERGLASS SYSTEMS INC.
 www.best-bath.com 1-800-727-9907

We reserve the right to make revisions without notice in the design of fixtures or in packaging unless this right has specifically been waived at the time the order is accepted.