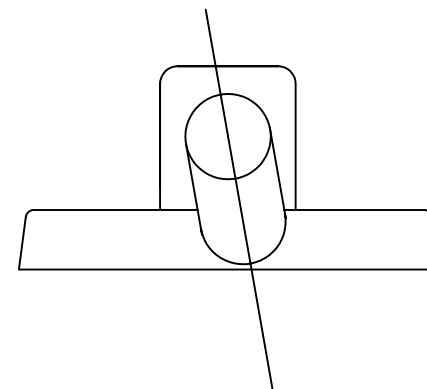
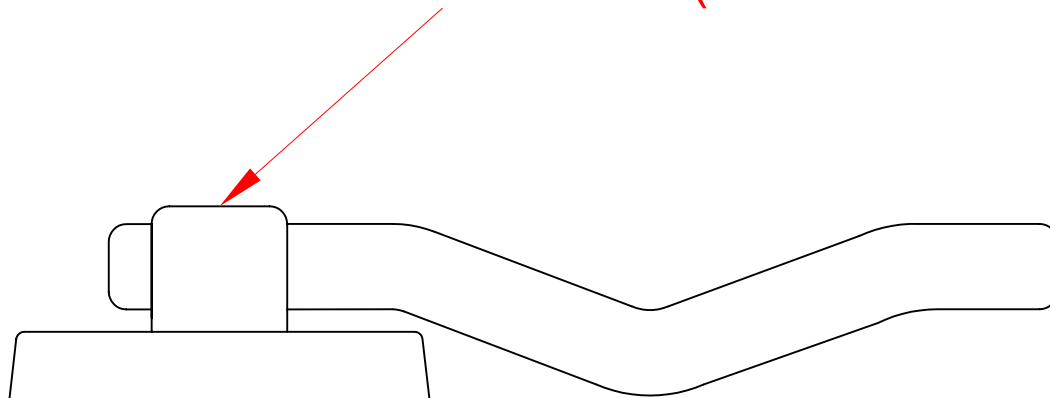


Set screw (1/8" Allan wrench)



To adjust pressure of door on door seal:

- Loosen set screw with 1/8" Allan wrench
- Rotate lever as required for more or less pressure
- Tighten set screw



Door latch adjustment

MODEL: All walk-in tubs		DATE: 9-14-05	REV
SCALE:	DRAWN BY: PVR	SHEET 1 of 1	